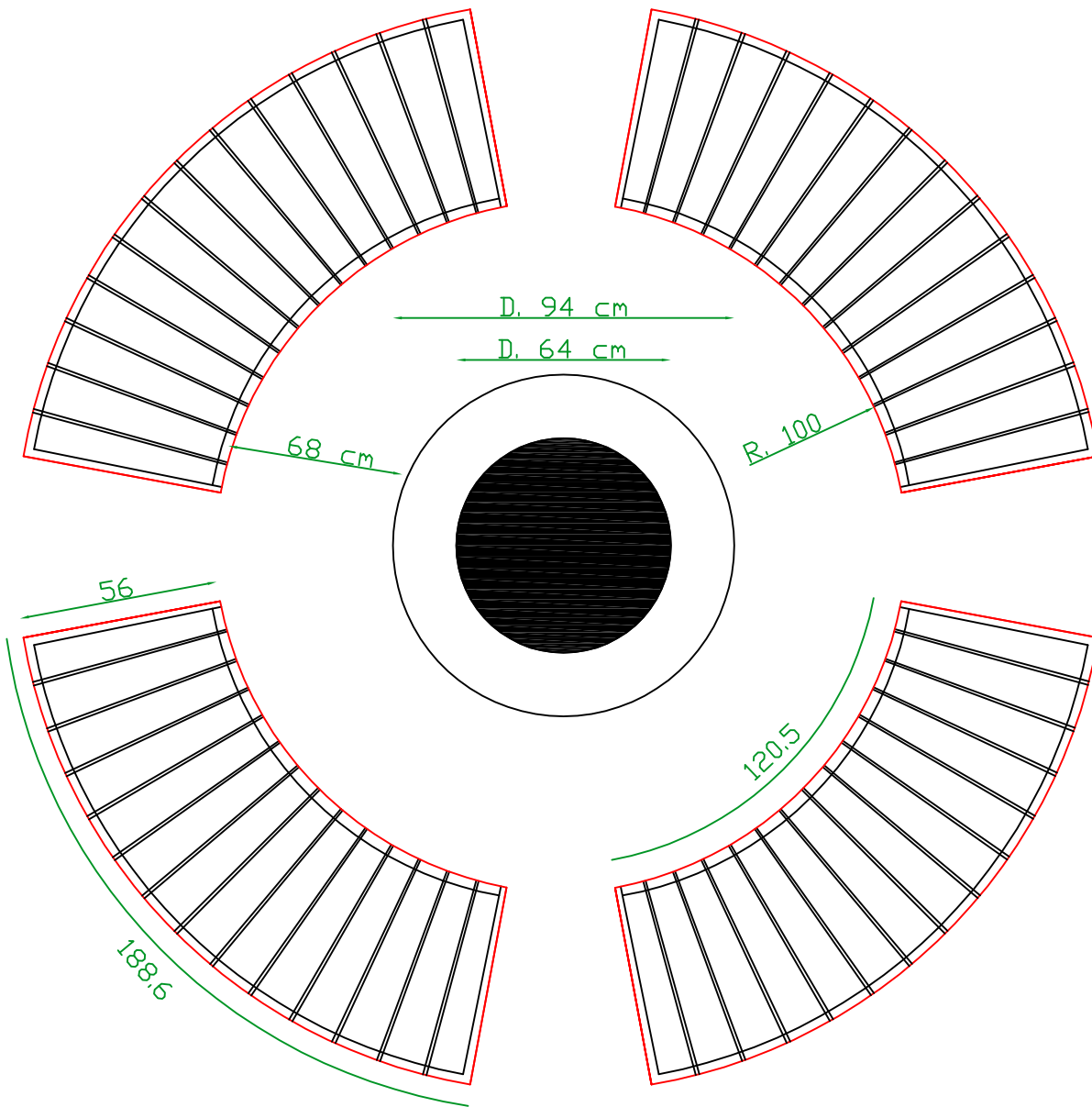




GARDEN BRAZIER

MOD. - CRENTO -

GARDEN  
LINE



External diameter 305 cm

**Produced on request with this heights:  
30 - 35 - 40 - 45 - 50 - 55 cm**

COVER IN LARCH WOOD  
Thickness 4 cm

**INTERNAL RODS**



filling stones

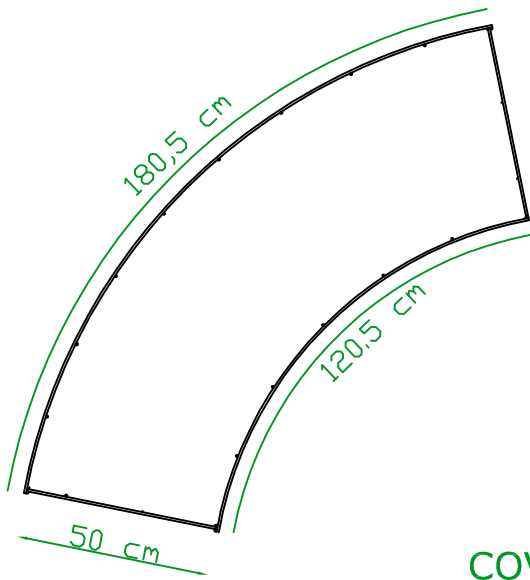
Ø 60/90 mm (ca. 1,30 m<sup>3</sup> = 2,10 To.)



GARDEN BRAZIER

**GARDEN  
LINE**

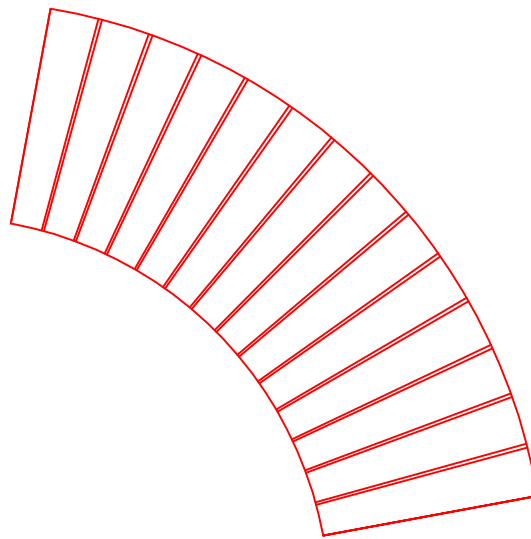
**MOD. - CRENTO -**



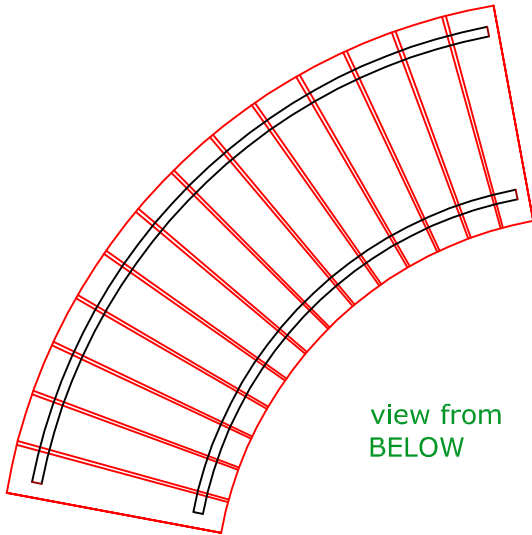
**GABION**  
mesh 20 x 5 cm horizontal

COVER IN LARCH WOOD

view from  
ABOVE

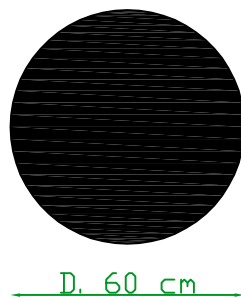
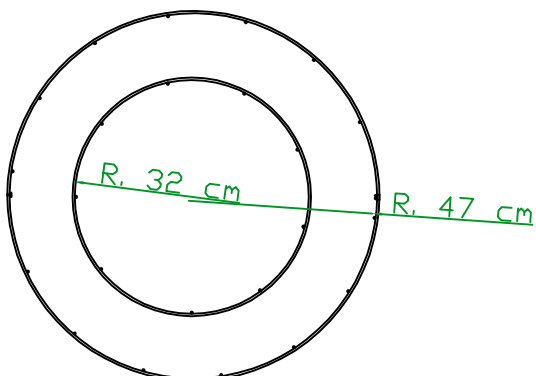


view from  
BELOW



**BRAZIER**

INTERNAL and EXTERNAL GABION



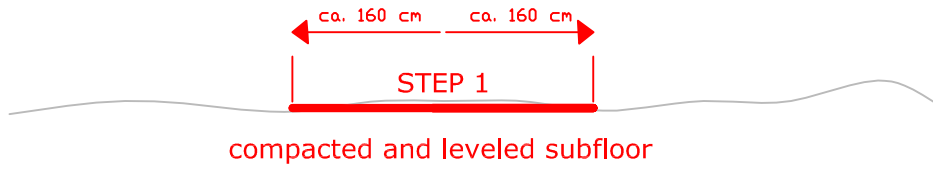
BRAZIER

GARDEN BRAZIER

MOD. - CRENTO -

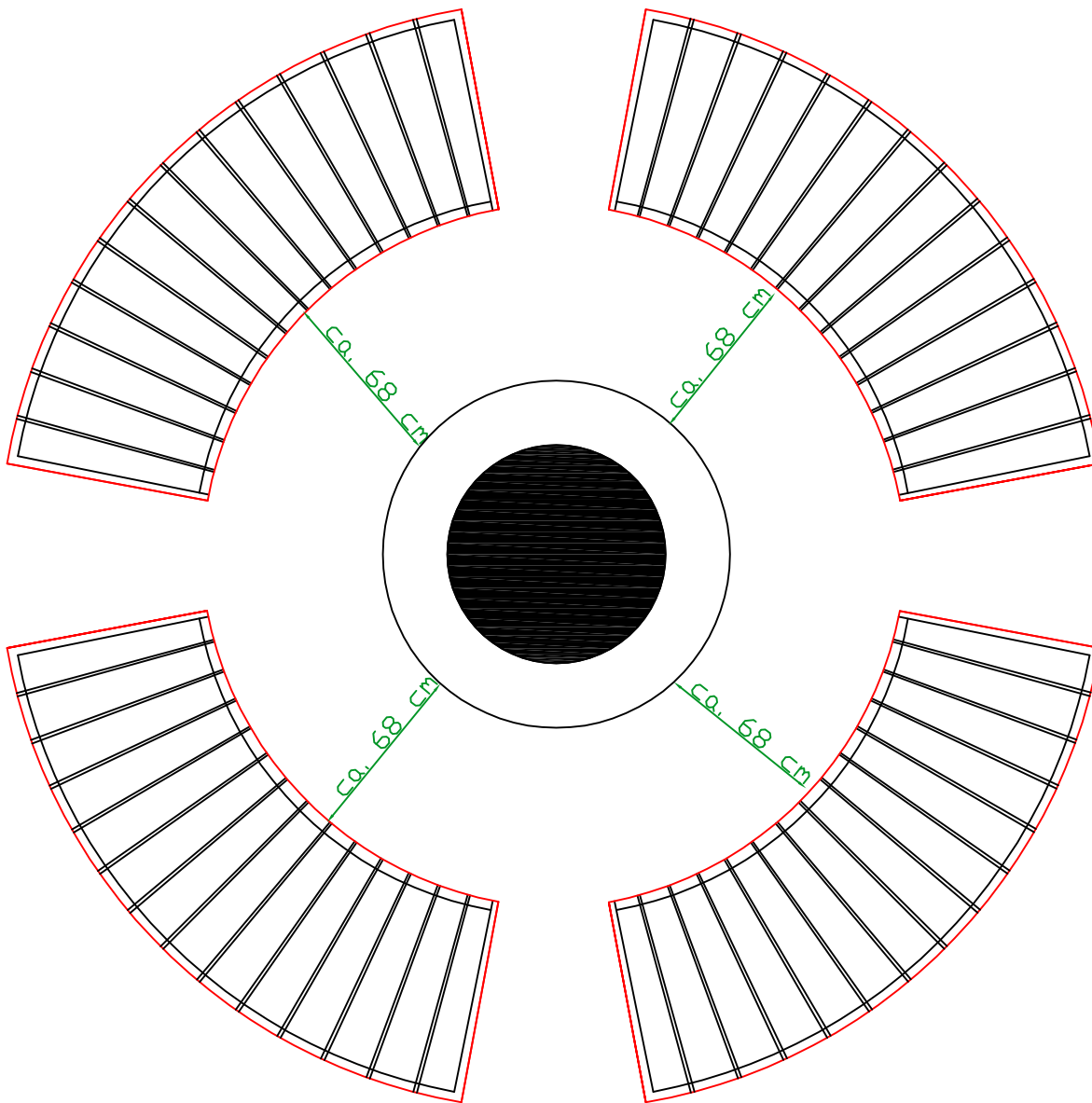
**GARDEN**  
**LINE**

# ASSEMBLY INSTRUCTION



## STEP 2

POSITIONING OF THE GABION  
keeping the same distance



GARDEN BRAZIER

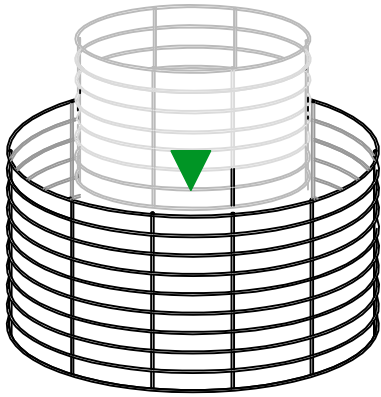
**GARDEN**  
**LINE**

**MOD. - CRENTO -**

# BRAZIER

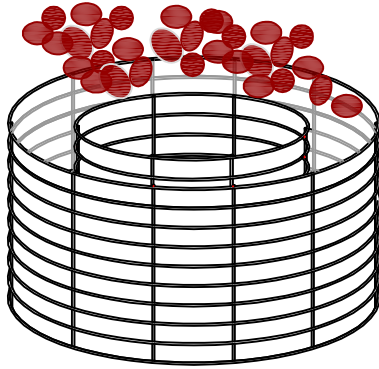
STEP 3

centrally insert the Ø60 cm gabion inside the Ø90 cm gabion



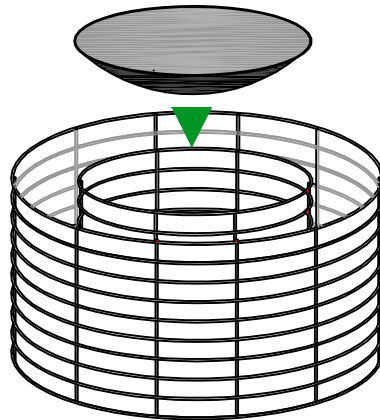
STEP 4

FILLING



STEP 5

INSERT THE BRAZIER

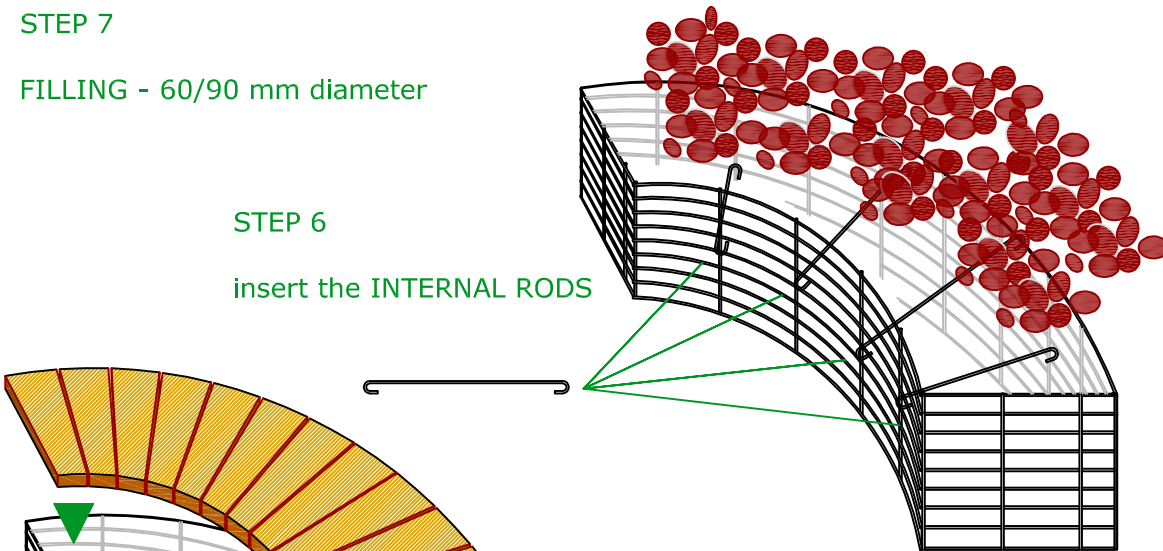


STEP 7

FILLING - 60/90 mm diameter

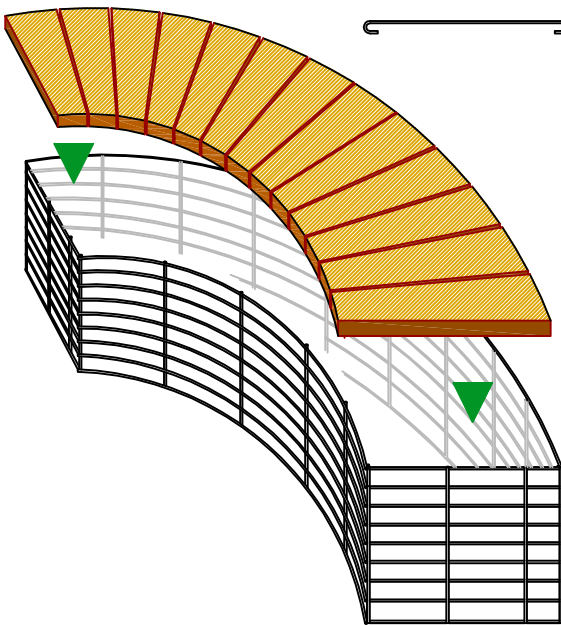
STEP 6

insert the INTERNAL RODS



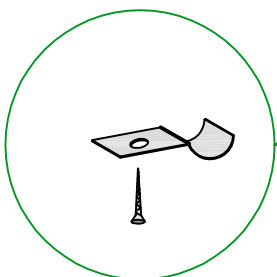
STEP 8

positioning of the bench



STEP 9

secure the bench with the clamps



GARDEN BRAZIER

GARDEN  
LINE

MOD. - CRENTO -